



Optique Peter

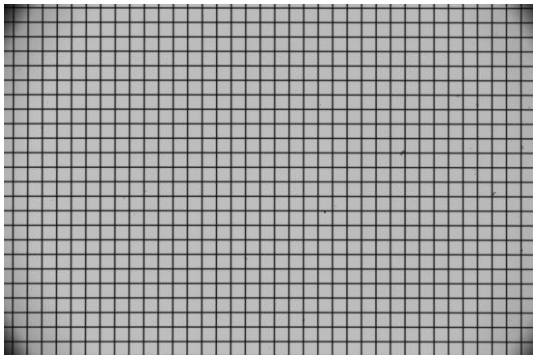
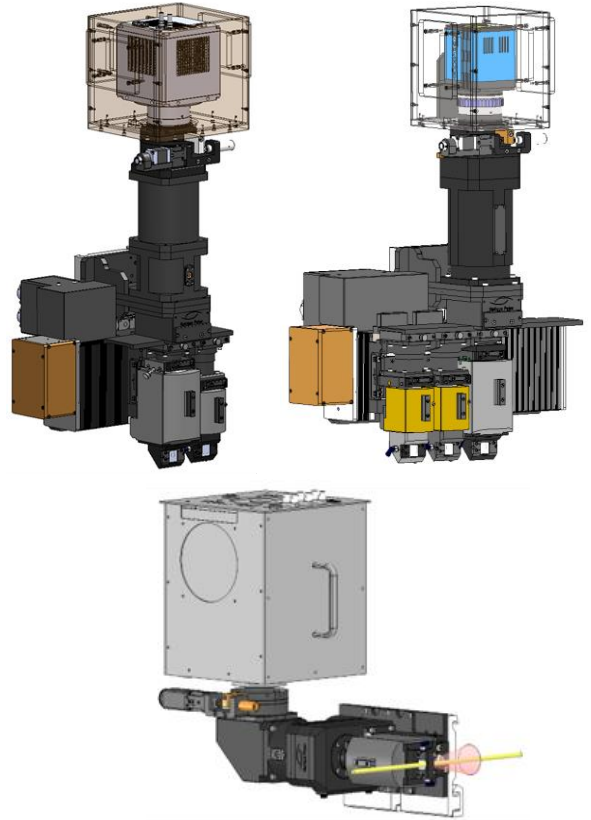
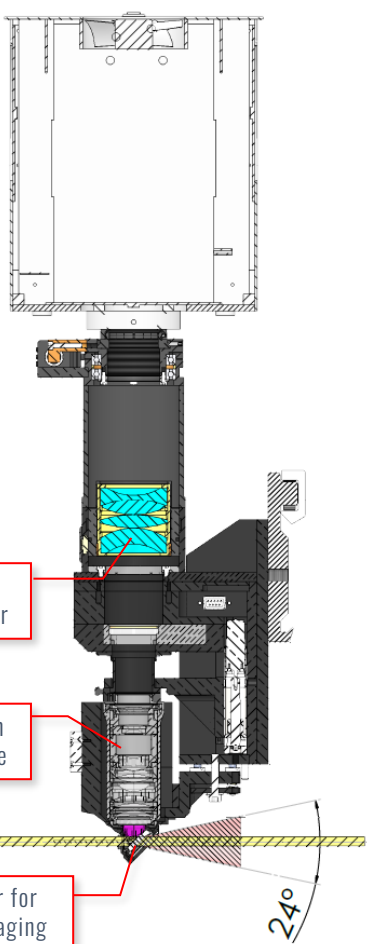
OPTICAL & MECHANICAL ENGINEERING

## 10X/0,40 OBJECTIVE FOR WHITE BEAM X-RAY IMAGING MICROSCOPES

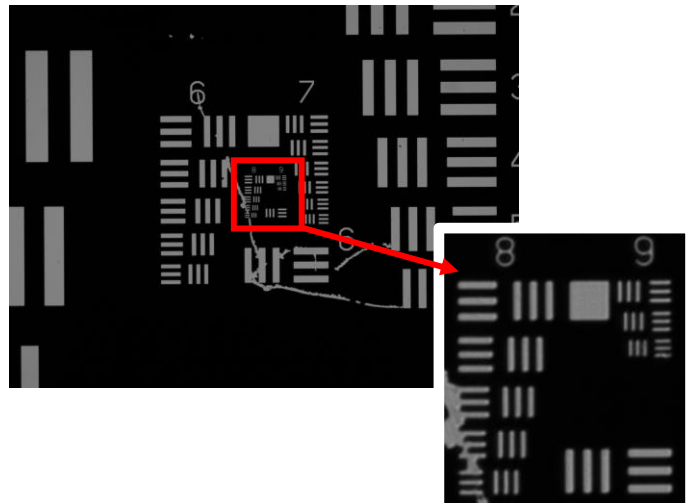


- High resolution / High NA 10X/0,40 objective
- 5 mm front radiation resistant glass protection
- Large 32 mm image circle on the detector
- Special head for single or multiple objective WB microscope

For single or multiple objective microscopes:



Grid taken with a large 24mm x 36mm format detector (detector diagonal: 43 mm)



Highest frequency: Group 9 / Element 3  
645.1 Line pairs per mm ; line width = 0.78  $\mu\text{m}$

