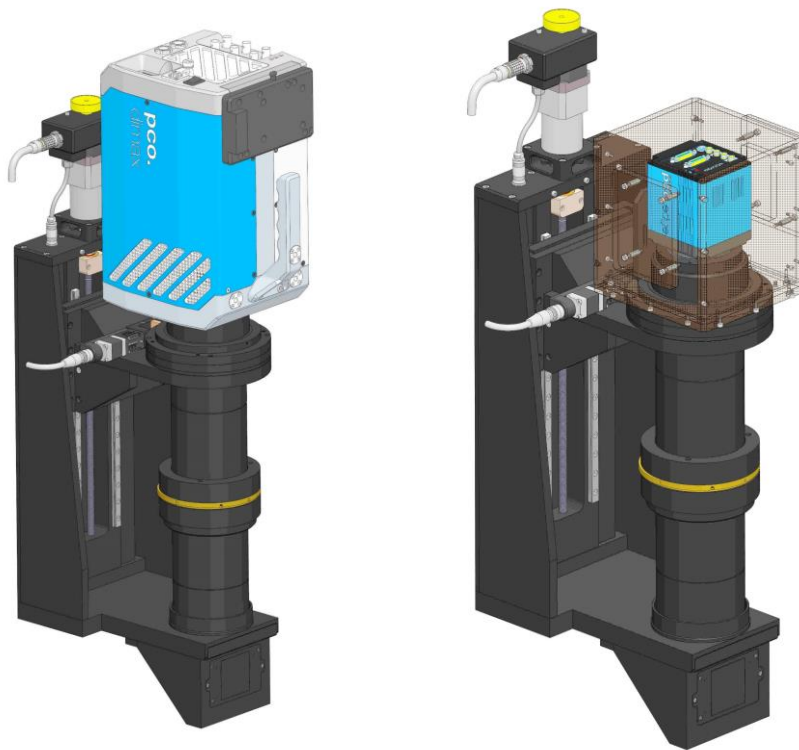




Optique Peter

OPTICAL & MECHANICAL ENGINEERING

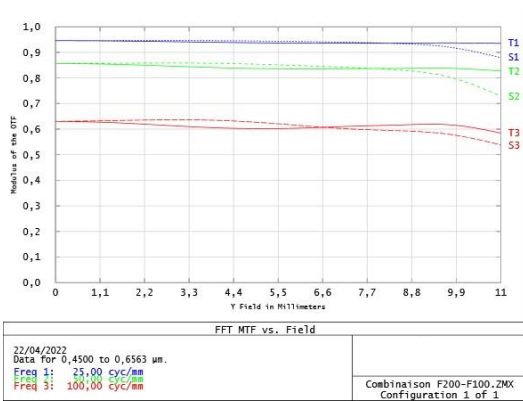
HIGH RESOLUTION / HIGH NUMERICAL APERTURE TANDEM MACROSCOPES



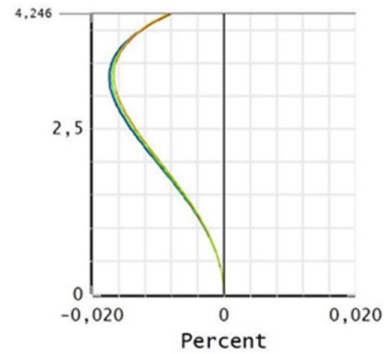
- Tandem configuration with specially designed high resolution / High NA tandem optics
- X-ray protection by front radiation resistant glass
- 0,5X to 2X magnifications
- Easy objective changing
- Camera detector diagonal from 22 mm to 44 mm
- Scintillator field of view diagonal from 22 mm to 44 mm

16 possible tandem combinations with 4 specially designed high resolution objectives :

		Objective on the camera side				
		Focal / NA	F 100 mm / 0,27	F 133 mm / 0,20	F 150 mm / 0,18	F 200 mm / 0,135
Objective on the scintillator side	Focal / NA	\emptyset detect. \emptyset scint.	22 mm	29,33 mm	33 mm	44 mm
	F 100 mm / 0,27	22 mm	1X/0.27	1,33X/0.27	1,5X/0.27	2X/0.27
	F 133 mm / 0,20	29,33 mm	0,75X/0.20	1X/0.20	1,12X/0.20	1,5X/0.20
	F 150 mm / 0,18	33 mm	0,67X/0.18	0,89X/0.18	1X/0.18	1,33X/0.18
	F 200 mm / 0,135	44 mm	0,5X/0.135	0,67X/0.135	0,75X/0.135	1X/0.135



MTF in scintillator plane – 2X/0,27 NA configuration



Distortion in detector plane – 2X/0,27 NA configuration

