



Optique Peter

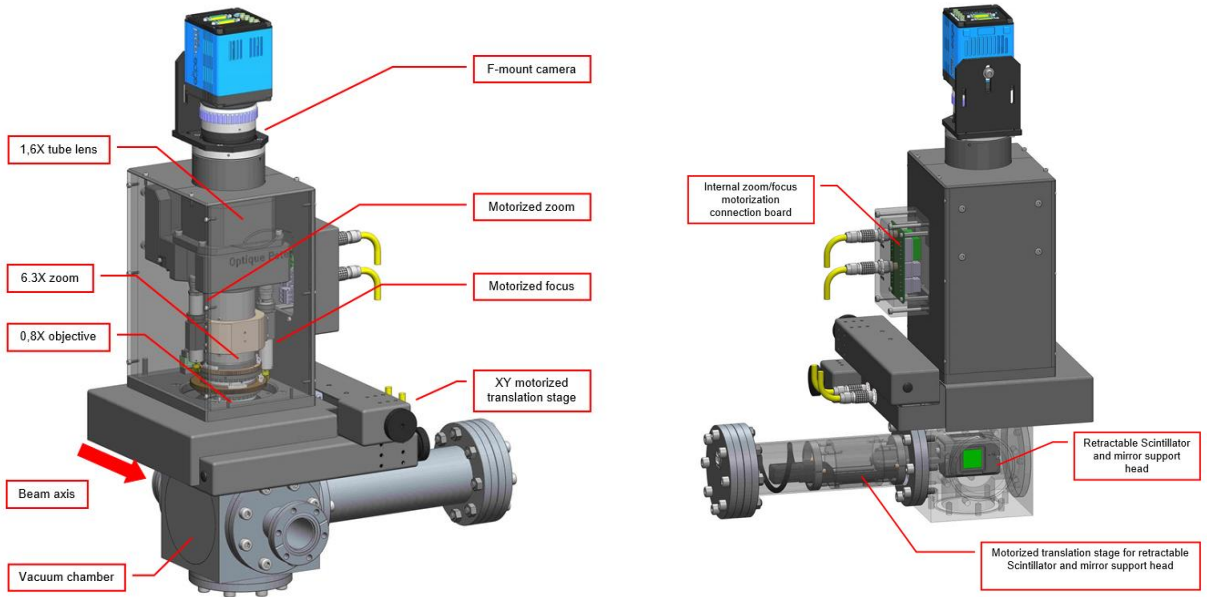
OPTICAL & MECHANICAL ENGINEERING

X-RAY BEAM DIAGNOSTIC

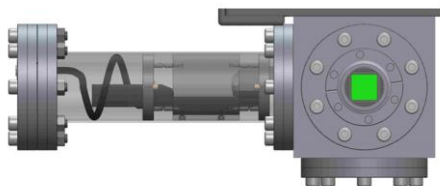


- In vacuum X-Ray beam imaging systems
- Retractable scintillator
- Different optical configurations :
 - Single magnification system
 - Zoom system on 2 axis motorized stage for high resolution imaging on the whole scintillator surface

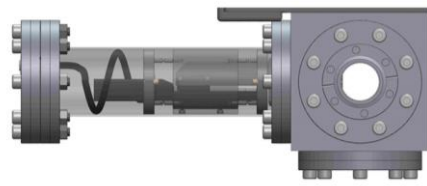
In Vacuum beam diagnostic X-Ray imaging zoom



- 6,3x or 16x motorized zoom magnification ratio
- In vacuum retractable scintillator support
- Zoom on XY stage for whole scintillator surface imaging at any magnification



Scintillator support in the beam



Scintillator support removed from beam

