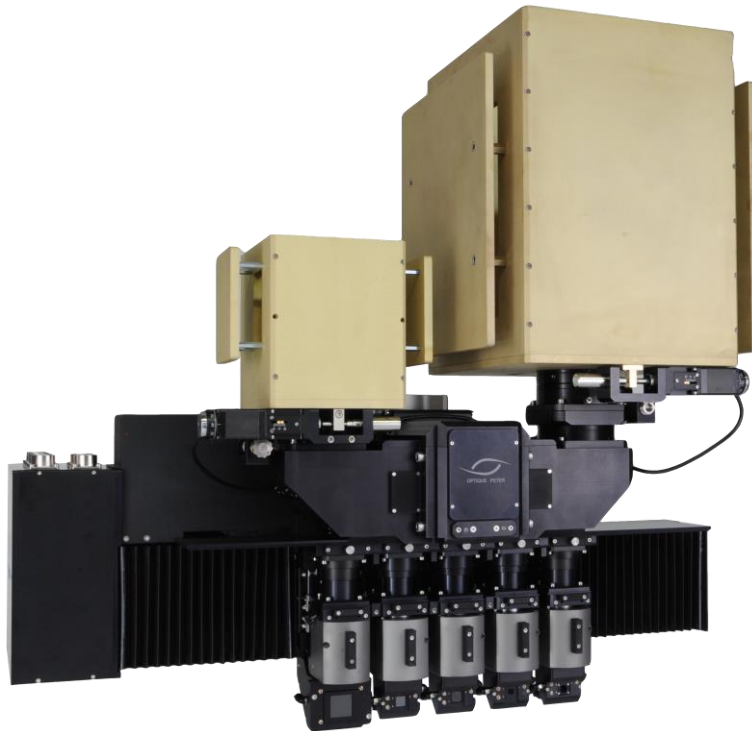




Optique Peter

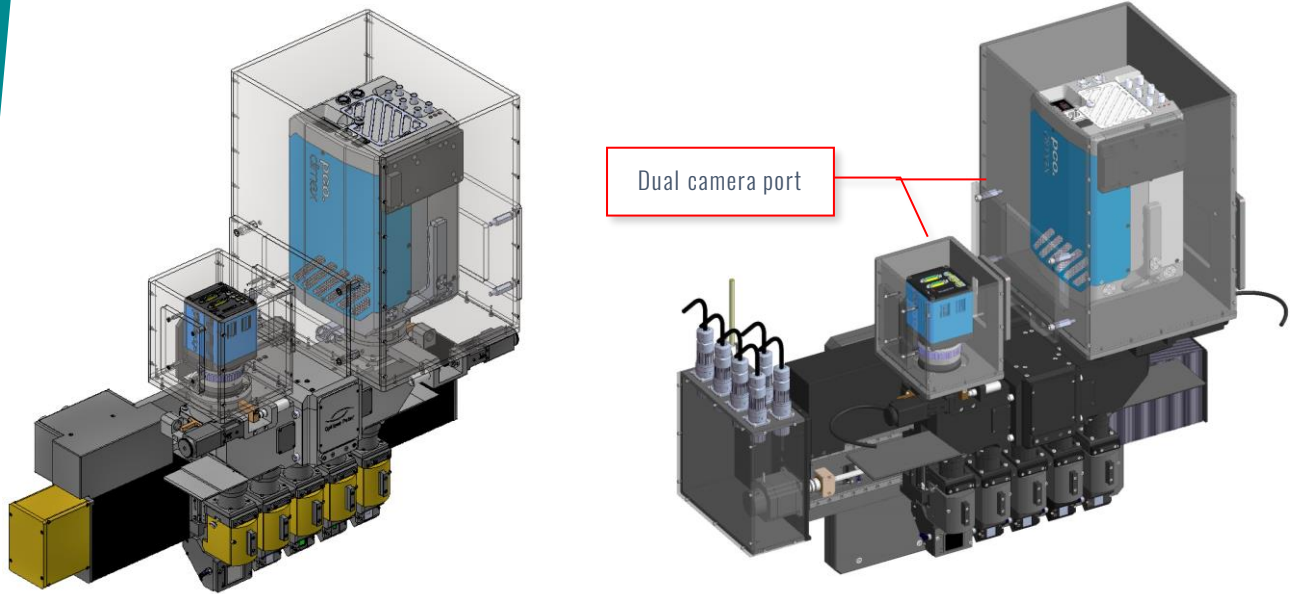
OPTICAL & MECHANICAL ENGINEERING

QUINTUPLE OBJECTIVES WHITE BEAM MICROSCOPE WITH DUAL CAMERA PORT



- Four different scintillator head types :
 - Very low magnification head for 1.11X objective
 - Low magnification head for 2X/0.055 - 5X/0.14 - HR5X/0.21 - 7.5X/0.21 - 10X/0.28 objectives
 - High magnification head for 5X/0.14 - 7.5X/0.21 - 10X/0.28 - 20X/0.42 objectives
 - Special HR10X/0.40 head
- Individual single filter support on each head
- Objective selection control by step motor & closed loop encoder

Dual camera port on quintuple objective microscope :



- The camera switching system is done by a motorized translation stage that select one of the two mirrors mounted on the this stage
- The camera selection motorized translation stage is motorized by a step motor with mechanical end switches
- This stage is controlled in open loop (no high accuracy required for the mirrors positioning as they translate perpendicular to the optical axis)

Objectives proposed with the microscope :

Objective	1X	2X	5X	HR5X	7,5X	10X	20X	HR10X	NUV* 10X	NUV* HR10X
NA	0.035	0.055	0.14	0.21	0.21	0.28	0.42	0.40	0.28	0.40
Protection**	5 mm	4 mm	4 mm	3 mm	4.5 mm	4.5 mm	3 mm	5 mm	4.5 mm	5 mm

*NUV objectives for fast imaging applications

** All White Beam objectives integrate a front radiation resistant glass protection

Other possible configurations :

- Quintuple objective microscope with single camera port
- Quadruple objective microscope with dual camera port
- Quadruple objective microscope with single camera port

